

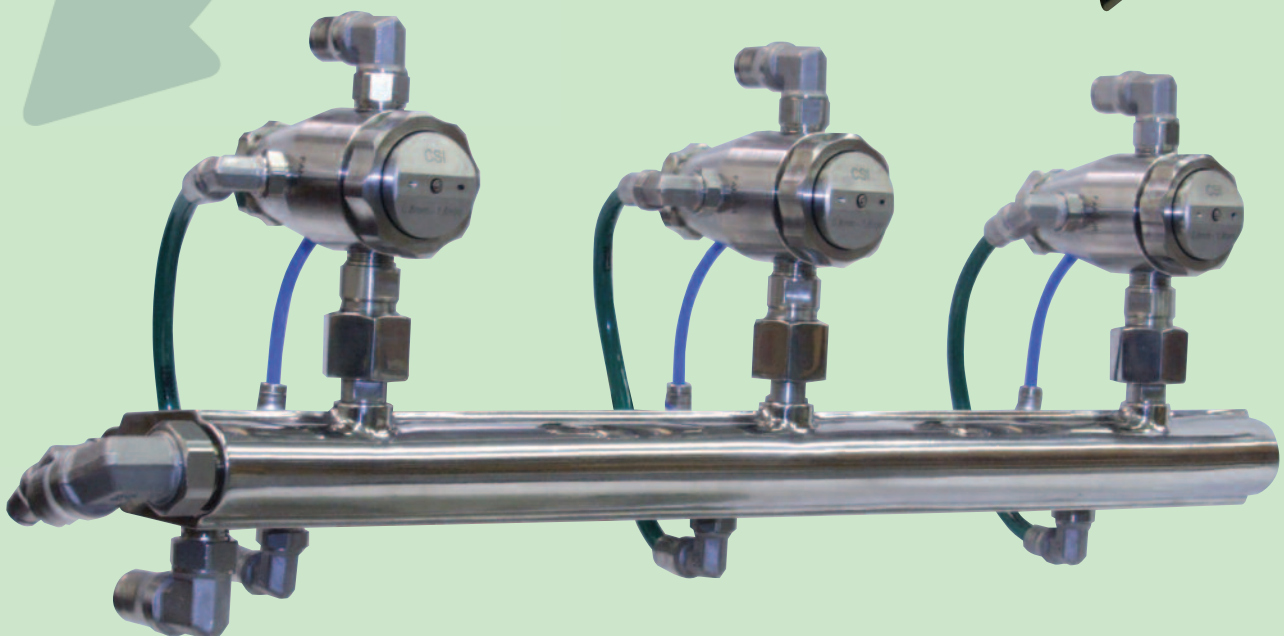
# Manifolds



## Application Manifolds

CSI have developed a series of manifolds for film and sugar coating which simplify the mounting of application systems within a coating machine.

The manifolds can be supplied in various sizes to meet the requirements of your equipment.



## Sugar Coating Manifolds

Sugar coating can be applied by use of spray nozzles or more commonly by the use of dosing bars, which evenly dribble sugar syrup across the tablet bed. CSI dosing bars are manufactured with tri-clamp fittings for ease of connection and cleaning. They have a number of optional dribble points, to allow for flexibility in batch size.

## Film Coating Manifolds

CSI manufacture manifolds for the use of spray nozzles, and allow the common supply of atomization air and spray width air, in addition to the nozzle cleaning pin signal.

Manifolds can be supplied in various sizes, allowing the mounting of between 2 to 6 nozzles.



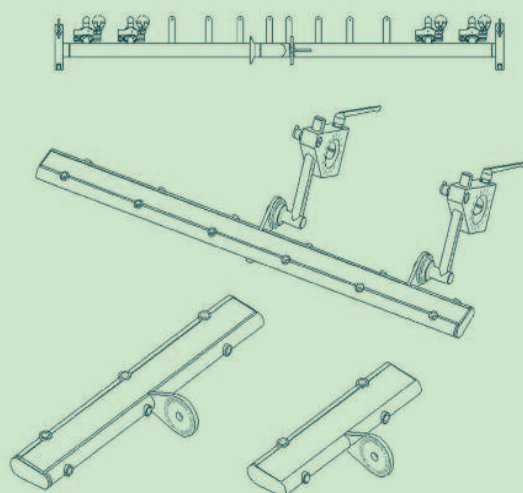
## Installation and fitting

We can offer a comprehensive installation support package, with all necessary mounting requirements for all equipment manufacturers. In addition we can supply process equipment to support the use of manifolds as an upgrade or retrofit.

## Quality

CSI are working to ISO 9001 Management systems and pharmaceutical requirements for cGMP and GAMP criteria.

All product contact metal parts are constructed from 316L stainless steel with material certification available.



## Spare Parts

A wide range of very competitively priced spare parts, are available for all your coating needs. Including, spare parts for nozzles, using aqueous and organic solvents. A current price list is available from our web site at [www.coatingsystems.co.uk](http://www.coatingsystems.co.uk)

### Manifold Options

<b>Mounting (Standard)</b>	As Required (50mm)
<b>Film coating Manifold connections</b>	Dependent on number of nozzles
<b>Spray Nozzle Connections</b>	Atomization Air (8mm)
<b>Variable Spray Pattern</b>	Spray Width Air (6mm)
<b>Spray Nozzle Signal On/Off</b>	Nozzle Signal Air (4mm)
<b>Number Of Nozzles Available</b>	2, 3, 4, 5, or 6
<b>Nozzle Mounting</b>	Universal easy mount
<b>Sugar Manifold</b>	Connections Tri Clamp
<b>Optional Dribble Points Connection</b>	2 each end (4 total) ½" Clamp
<b>Connection size</b>	½" or 1" Tri Clamp (Machine Dependent)
<b>All Fixings Are Graduated For Repeat Setup</b>	Numerical identification
<b>Material of Manufacture</b>	Stainless steel 316L

### Examples

